

# Wafer Check Valves

## Wafer Check Valves Carbon Steel

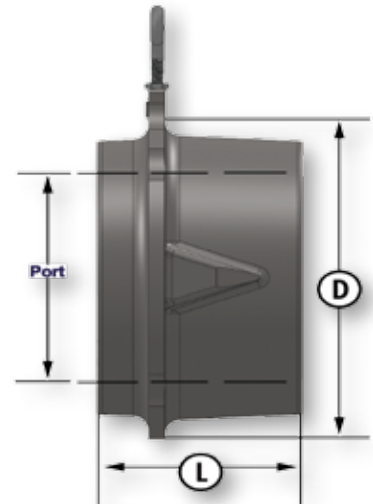
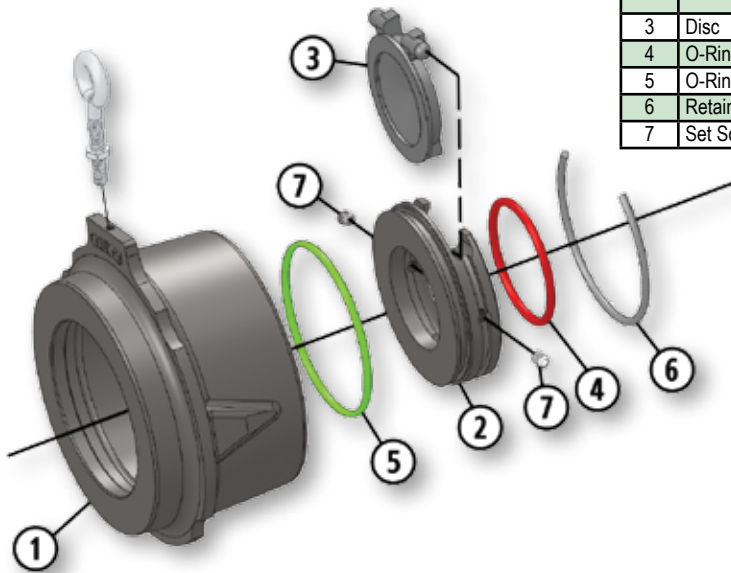
- Long Pattern Swing Check Valve
- ANSI 150 (285 PSI WP)
- 2" Through 6"
- Forged Steel Body Construction

- Replaceable Seat Disc Cartridge
- Seal Located in Seat, Thus Protected From Flow
- NACE Standard
- 316 Stainless Steel Disc Standard
- Generally Larger Port Sizes Than Other Brands



### Material Description

| ITEM | PART NAME | CARBON STEEL SEAT               | STAINLESS STEEL SEAT                     |
|------|-----------|---------------------------------|--|
| 1    | Body      | ASTMA105                        | ASTMA105                                 |
| 2    | Seat      | Replaceable Carbon Steel        | Replaceable 316 Or 17-PH Stainless Steel |
| 3    | Disc      | Replaceable 316 Stainless Steel | Replaceable 316 Stainless Steel          |
| 4    | O-Ring    | Seat Seal: Fluorocarbon         | Seat Seal: Fluorocarbon                  |
| 5    | O-Ring    | Assembly Seal: Buna-N           | Assembly Seal: Fluorocarbon              |
| 6    | Retainer  | Stainless Steel                 | Stainless Steel                          |
| 7    | Set Screw | Stainless Steel                 | Stainless Steel                          |



### Dimensional Data

| SIZE | CATALOG NUMBER    |                      | PORT | D    | L    | STUD LENGTH | LBS. |
|------|-------------------|----------------------|------|------|------|-------------|------|
|      | CARBON STEEL SEAT | STAINLESS STEEL SEAT |      |      |      |             |      |
| 2    | 2L-150            | 2L-150S              | 1.50 | 4.12 | 2.37 | 5.75        | 4.9  |
| 3    | 3L-150            | 3L-150S              | 2    | 5.37 | 2.87 | 6.50        | 11.8 |
| 4    | 4L-150            | 4L-150S              | 3    | 6.87 | 2.87 | 6.50        | 15   |
| 6    | 6L-150            | 6L-150S              | 4.75 | 8.75 | 3.87 | 8           | 34   |